



**PIRALU**

**THE EASIEST FORM  
OF AIR CONDUCTION**

The logo for PIRALU, featuring the word "PIRALU" in a bold, sans-serif font. The letters "PIRA" are white and set against a blue background, while the letters "LU" are blue and set against a white background.

Easy to produce ducts of any shape

The PIR ALU<sup>®</sup> panel,  
Made of a core of rigid polyisocyanurate (PIR)  
foam and coated with aluminium on both sides,  
is especially designed for the production of air  
conditioning ducts.



Its constitution gives it excellent insulating  
properties, high rigidity, great lightness, makes  
it extremely easy to handle and fit and offers  
outstanding adaptability to any installation and  
excellent transported air quality, with the  
consequent financial profit



Production of long lengths with  
a minimum of joints

## EXCELLENT REACTION TO FIRE

When in contact with fire, the features of the polyisocyanurate foam favour the formation of a carbon cellular structure that protects the inner foam parts.

Thus, the speed of combustion is increasingly slower and the issue of smoke very low, as most of the structure becomes charred instead of turning into smoke

## LACK OF CONDENSATION

The high level of heat insulation of the PIR ALU® panel prevents condensation on both sides of the panel. Even on extreme weather conditions, its outer surface will remain intact.

Likewise, the aluminium coating acts as a water vapour barrier to prevent water particles from forming on the inner insulation.

■ Conductivity  $\lambda = 0.023 \text{ W/m.K} = 0.020 \text{ kcal/h.m.}^\circ\text{C}$

## CLEAN TRANSPORTATION OF INSIDE AIR

The air circulating inside the duct is always kept in its purest stage, as the inner surface of the duct is made of aluminium with a purity of over 99%, not allowing for condensation or for the accumulation of dust or micro-organisms.

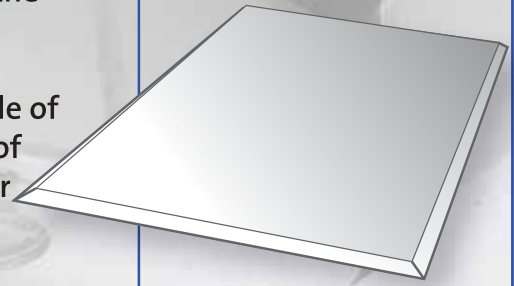
The only precaution to be taken into account is that the silicon used as a sealant must include a fungicide treatment.

## IMPROVE THE PERFORMANCE OF YOUR INSTALLATION

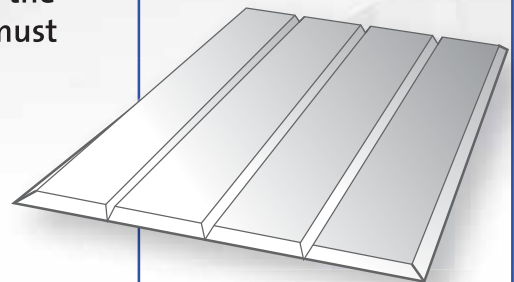
The use of ducts made using PIR ALU panel notably improves the performance of your installation, thanks to its low heat conductivity. Together with the water tightness of the product, the loss of frigorics is minimized and air leaks through the joints are avoided

*The PIR ALU panel always keeps the air humidity, purity and temperature constant. Thanks to its embossed aluminium surface, it has a decorative finish that also ensures its quality and reliability*

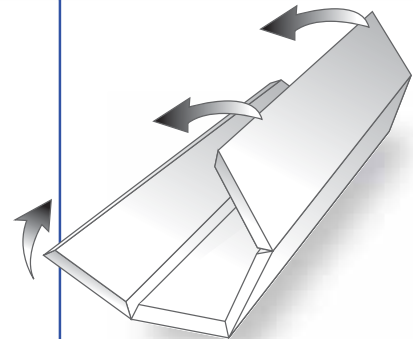
## CONSTRUCTION OF A DUCT



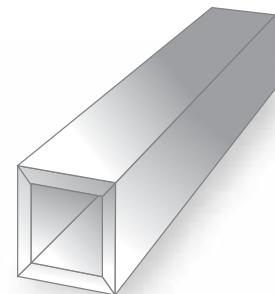
1. Original PIR ALU® Board



2. Cutted boards



3. Gluing and bending



4. Finish

